



XYLINDER OUTDOOR

Technical Specifications

- **RF protocol** EPC global Class 1 Gen 2
- **Frequency** 860-960 MHz (Global)
- **IC type (chip)**¹ NXP UCODE8
- **Chip memory**² 128 bits EPC; 96 bits TID
- **Read range on metal**³ Up to 9.84 ft (3 m)
- **Polarization** Linear

Key Features

- + **Curved tag:** fits rounded surfaces of LPG gas cylinders and beer kegs
- + **Range:** optimal read ranges on metal on plastics
- + **Industrial adhesive:** fast and reliable mounting
- + **Durability:** protection against shocks and impacts
- + **IP68:** withstand regular washes and outdoor environments

Applications

- **LPG cylinders**
- **LPG tanks**
- **Industrial gas cylinders**
- **Beer kegs**

Environmental Specifications

Temperatures



- **Operational** -40°C to +85°C
- **Survival** -40°C to +85°C

- **IP rating** IP68
- **Compression strength** 35 psi (241 kPa)
- **Shock** 3ft (1 m) to concrete/granite
- **Vibration** MIL-STD-810G
- **Warranty** 1 year

¹ The chip data retention is up to 50 years, based on chip operating under general environment conditions.

² EPC and User Memory can be re-programmed, password protected, or permanently locked. TID is locked and unique at the point of manufacturing.

³ Fix reader on metal

Physical Specifications

- **Material** Industrial grade polymer
- **Dimensions (in)**¹ 2.44 x 1.26 x 0.39
- **Dimensions (mm)**¹ 62 x 32 x 10
- **Weight** 0.37 oz (10.40 g)

Mounting Systems

- Industrial adhesive
- Rivets or screws

Installation Instructions

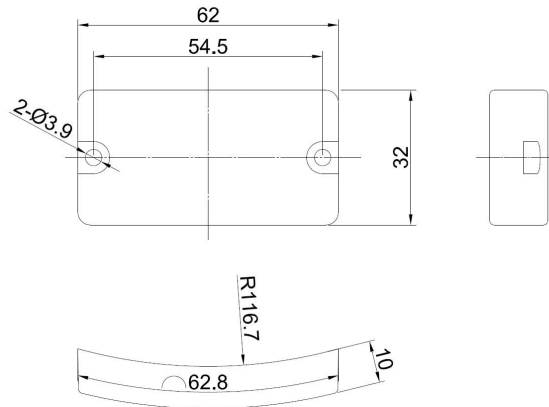
Attach with industrial adhesive:

1. Clean the surface using Isopropyl alcohol, alcohol pad or equivalent solvent to ensure surface is free from dirt, dust, oil and misc, debris that may affect adhesion.
2. Handle the tag by edges, peel the release liner from back ensuring not to touch the adhesive.
3. Place the tag in the desired tagging location and firmly apply even pressure to the tag for 5 seconds.

Attach with M3 rivets (optional):

1. Drill two holes (ø 3.50) in the metal surface, pitch: 54.50 mm.
2. Utilize M3 rivets in conjunction with a rivet gun to securely fasten the tag onto the metal surface.

¹ Tolerance: +/- 0.02; +/- 0.50



Industry Compliance



Order Information

XYLINDER OUTDOOR: X0362-GL101-U8

Customization Options

Encoding

Laser Marking

Printing¹

¹ The standard Xylinder Outdoor comes with no Xerafy logo on the surface.

The information provided by Xerafy Singapore Pte. Ltd. is for general information purposes only. All information on the datasheet is provided in good faith. However we make no representation or warranty of any kind, express or implied, regarding the accuracy, adequacy, validity, reliability, availability, or completeness of any information on the datasheet.

Under no circumstance shall we have any liability to you for any loss or damage of any kind incurred as a result of the use of the product or reliance on any information provided on the datasheet. Your use of the product and your reliance on any information on the datasheet is solely at your own risk.