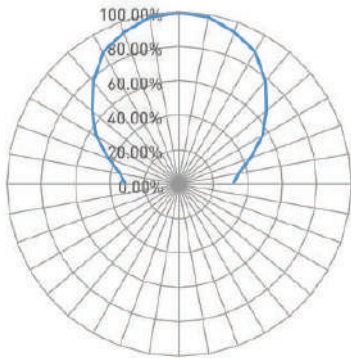




XS DOT

Technical Specifications

- **RF protocol** EPC global Class 1 Gen 2
- **Frequency** 902–928 MHz (US);
865–868 MHz (EU)
- **IC type (chip)**¹ NXP UCODE 8
- **Chip memory**² 128 bits EPC; 96 bits TID;
User Memory (optional)
- **Read range fixed**³ Up to 4.9 ft (1.5 m)
- **Read range handheld**³ Up to 3.3 ft (1 m)
- **Polarization** Linear
- **Radiation Pattern on metal**



Key features

- + **Small form factor:** fit for small assets
- + **Unrivalled performance-to-size ratio:**
up to 2m on metal read range
- + **Hi-Temp resistant:** up to 200°C

Applications

- Hand Tools and Equipments
- Automated Tool Tracking
- Active FOD Prevention

Environmental Specifications

Temperature

- Operational -40°C to +85°C
- Survival -40°C to +150°C
(long term >168 hours)
- Peak temperature 200°C (minutes)



- **IP rating** IP68
- **Shock (drop)** 3 ft (1 m) to concrete/granite
- **Vibration** MIL-STD-810G
- **Warranty** 1 year

¹ The chip data retention is up to 50 years, based on chip operating under general environment conditions.

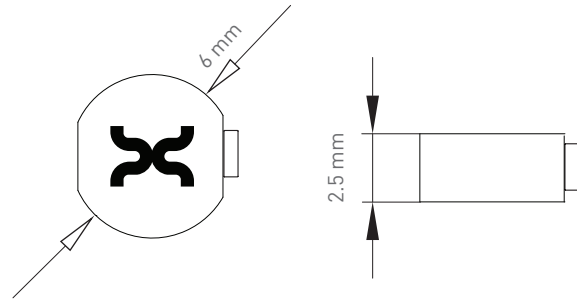
² EPC can be re-programmed, password protected, or permanently locked. TID is locked and unique at the point of manufacturing.

³ Performance based on standard testing methodologies. Performance may vary depending on environmental factors and reader output power.



Physical Specifications

- **Material** Ceramic
- **Dimensions (in)**¹ \varnothing 0.24 x 0.1
- **Dimensions (mm)**¹ \varnothing 6 x 2.5
- **Weight** 0.012 oz (0.34 g)



Mounting Systems

- Epoxy

Installation Instructions

To properly attach the XS Dot On, the following steps should be taken:

1. Use instant glue to place the tag on the asset
2. Cover the tag with epoxy resin to secure the tag in place. Using epoxy will both help secure the tag to the asset as well as help prevent damage from shock and impact.

¹Tolerance: +/- 0.008; +/- 0.2

Industry Compliance



Order Information

XS Dot US: X4102-US000-U8

XS Dot EU: X4102-EU000-U8

Customization Options

Encoding

ATEX Certified Version

The information provided by Xerafy Singapore Pte. Ltd. is for general information purposes only. All information on the datasheet is provided in good faith. However we make no representation or warranty of any kind, express or implied, regarding the accuracy, adequacy, validity, reliability, availability, or completeness of any information on the datasheet..

Under no circumstance shall we have any liability to you for any loss or damage of any kind incurred as a result of the use of the product or reliance on any information provided on the datasheet. Your use of the product and your reliance on any information on the datasheet is solely at your own risk.

