

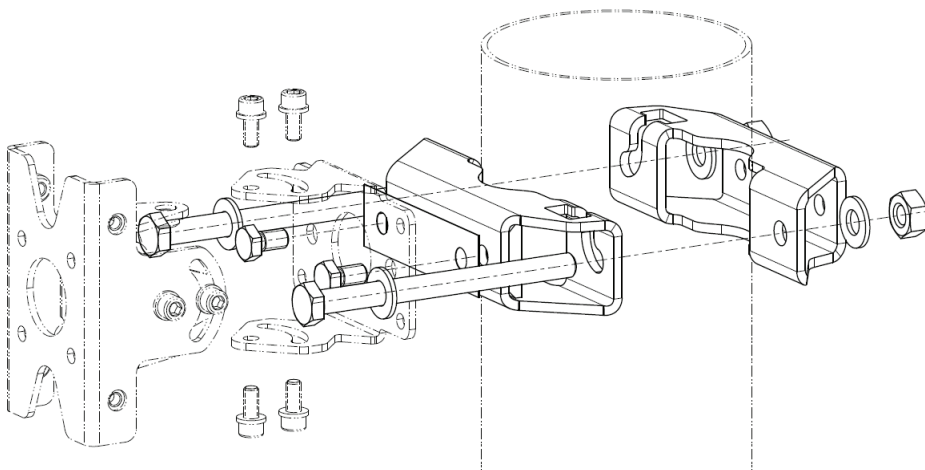
**> General Specifications**

Order no.		<b>52010368</b>
Type		MK-PMA-OGV
Weight	[kg]	1.2
Packing size	[mm]	App. 160 x 160 x 45 (packed in tubular film)
Material		Steel zinc coated
Max. load-bearing capacity	[kg]	8

**> Usable for following**

Wall mounting kit	Order No.	Type
	52010351	MK-WPM3-OSS

**> Assembly drawing [mm]**



**> Remarks**

**Accessories optional**

- All accessories can be found at: <https://www.kathrein-solutions.com>