

Autoclavable Roswell



Autoclavable Roswell is extremely reliable and durable for harsh applications and meets autoclave requirements for use in the healthcare industry. It's designed for quick and convenient attachment and can be easily bolted or tie-wrapped to an asset.



Hi-Temp and Autoclave proof



180° read orientation



Brackets for quick attachment and removal



IP69K



Superior chemical corrosion resistance



- Sterilizable surgical trays
- Medical devices
- Manufacturing Hi-Temp

[LEARN MORE >](#)

Performance Characteristics

Read range (handheld) ¹	Up to 11.5 ft (3.5 m)
Read range (fixed) ¹	Up to 16.4 ft (5 m)
Polarization	Linear
Mounting system	Screws (rivet hole ø 0.19 in (ø 5 mm)), Cable tie

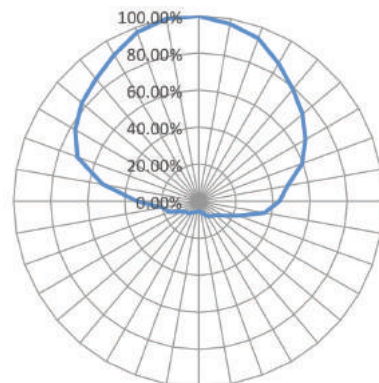
1. Performance based on standard testing methodologies. Performance may vary depending on environmental factors and reader output power.

Functional Specifications

RF protocol	EPC global Class 1 Gen2
Frequency	902-928 (US) ; 865-868 (EU)
IC type (chip) ¹	Alien Higgs-3
Memory	96-EPC bits, 64-bit unique TID, 512 -bit user memory
Material	Stainless steel

1. The chip data retention is up to 50 years, based on chip operating under general environment conditions.

Radiation Pattern



Environmental Specifications

Operational temperature	-40°C to +85°C
Survival temperature	-40°C to +250°C
Chemical resistance	Various caustic chemicals ¹
IP rating	IP68, IP69K
Compression strength	1145 psi (7900 kPa)
Shock (drop)	3 ft (1 m) to concrete/granite
Vibration	MIL-STD-810G

1. The chemical resistance is based on the concentration of solutions and application environment. Please contact Xerafy for further details on chemical resistance.

Industry Compliance

RoHS	EU Directive 2011/65/EU
CE	Yes
ATEX/IECEX	Compliant
Warranty	1 year
Healthcare sterilization compliance	ISO 17665 - Moist Steam, ISO 11135 - Ethylene Oxide

Order Information

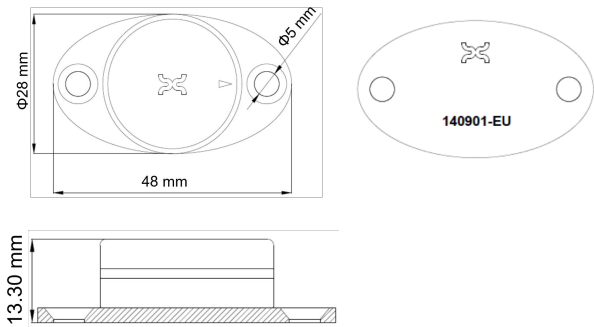
X1114-US143-H3	Autoclavable Roswell US
X1114-EU143-H3	Autoclavable Roswell EU
Optional service	Encoding / Printing / Laser etching

1. The Roswell was upgraded in design since April 2020. The screw connection between the tag and the bracket plate was replaced with laser welding.

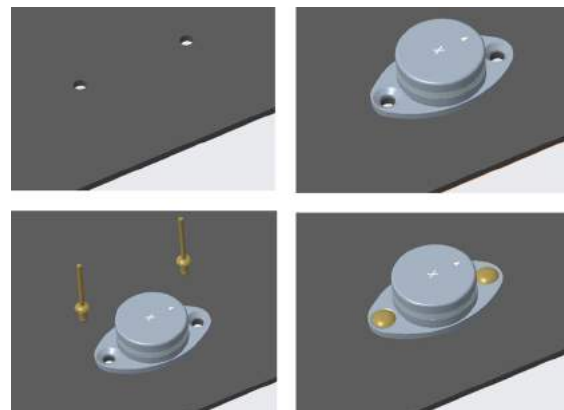


Product Dimensions and Weight

Dimensions (in)	1.89 x 1.10 x 0.53
Tolerance	+/- 0.02
Dimensions (mm)	48 x 28 x 13.30
Tolerance	+/- 0.5
Weight	1.55 oz (44 g)



Installation Instructions



1. Put the tag orientation with symbol "X" in parallel to length of the metal surface.
2. When the tag is used in harsh environment, M4.8 screw / ϕ 4.8 rivet mounting is a suitable option. (screw hole: 0.19 in / 4.5 mm, rivet hole: 0.19 in / 5 mm)

About Xerafy

Xerafy designs and manufactures the world's toughest RFID tags to power Industrial IoT applications in Aerospace, Oil & Gas, Automotive, Healthcare and Manufacturing.

For Product inquiries: sales@xerafy.com
Singapore | China | US | UK

GO TO WEBSITE >