

DATASHEET

UHF Paper Logistic Label



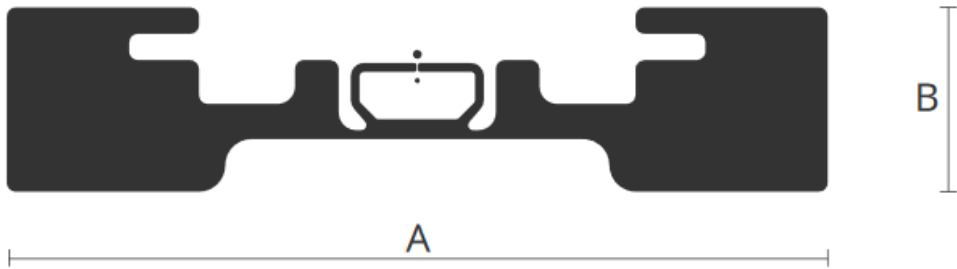
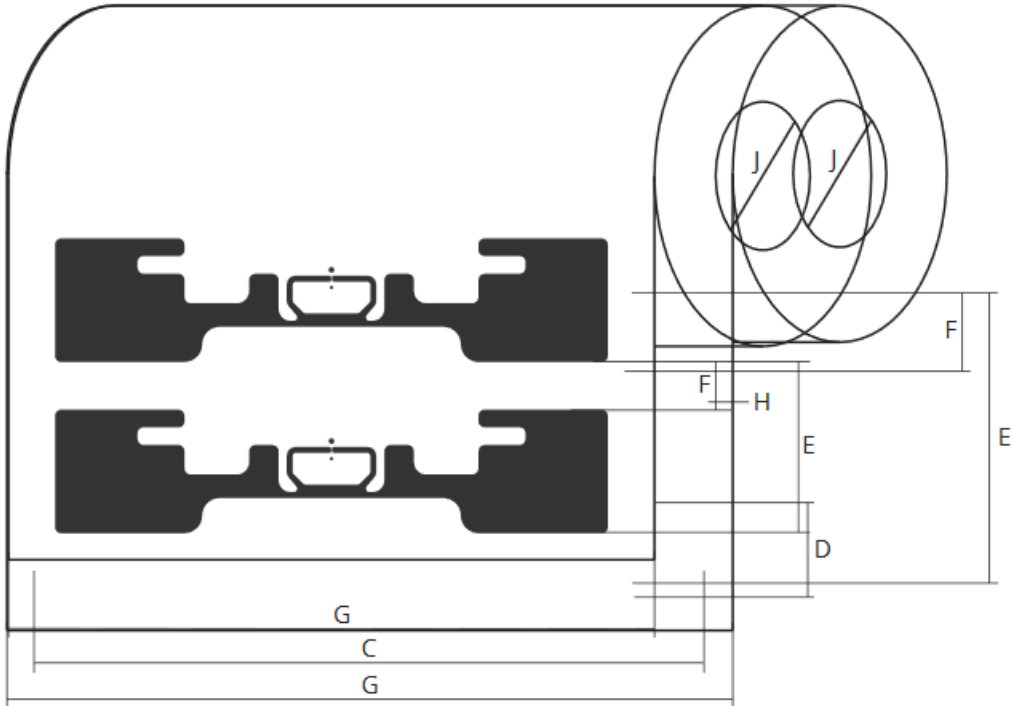
PRODUCT SPECIFICATIONS

Frequency	UHF (860-960 MHz)
Protocol	UHF EPC Class 1 Gen 2
Integrated Circuit	IMPINJ MONZA R6
EPC size/ TID size	128 bit / 96 bit
User Memory	0 bytes
Operating Temperature	-40°C / 85°C (-40°F / 185°F)
Adhesive	Acrylic permanent
Data Retention	50 years
Endurance	100.000 cycles
Inlay Material	PET 38p / AL J 0p
Surface Material	Paper or PET
Color standard	white



ANTENNA DIMENSIONS

A x B Antenna size	94 x 21 mm (3.7 x 0.83 in)
C x D Label Size	96 x 23 mm (3.78 x 0.9 in)
E Pitch	25.4 mm (1 in)
F Gap	2.4 mm (0.1 in)
G Web width	100 mm (3.94 in)
H Die-cut to edge	2 mm (0.08 in)
J Core size	76 mm (3.00 in)



DELIVERY CONDITIONS

Packaging	Roll
Roll outer diameter	min. 150/max. 500 mm (min. 5.9/max. 19.7 in)
Unwinding mode	Antenna outside of roll
Antenna direction	head
Orientation	horizontal