

ABOUT TIMES-7

We are a high-tech company specializing in the design and manufacture of RAIN (UHF) RFID antennas. Founded in 2006, Times-7 has developed the largest portfolio of fixed RAIN RFID reader antennas. Based in Lower Hutt, New Zealand we export all over the world through an authorized network.

Times-7 antennas are famous for their quality and performance.

In addition to our world-class products and in-depth expertise, our customers appreciate Times-7's customer service and technical support. We are responsive in supporting a large global customer base and ensuring the success of our customer's implementations.

Times-7 Research Ltd
10 Te Puni Street
Lower Hutt 5012
New Zealand

NEW ZEALAND
P: +64 4 974 6566

USA/CANADA
P: +1 408 769 5025

E: sales@times-7.com

www.times-7.com



Unique, ultra-low profile circular polarised flat panel antenna

Just 8.5 mm / 0.3 in. thick

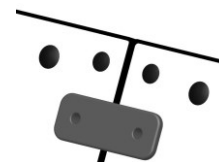
Innovative 'Array-Ability' design - easily customised & scalable

Typical applications:
Retail item level tracking,
tool tracking &
all shelving / cabinet applications

The SlimLine A7030C

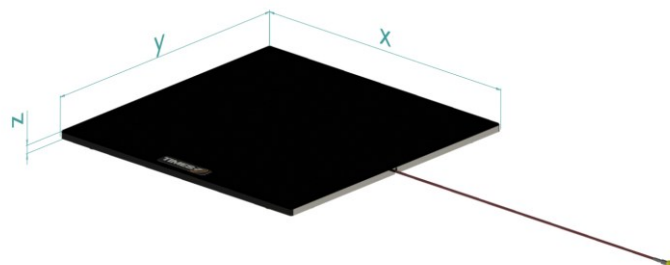
Part of the SlimLine range of shelving antennas, the A7030C with its innovative 'Array-Ability' design offers a highly scalable and customized antenna solution for a wide range of RFID deployments.

At just 8.5 mm / 0.3 "thick, the A7030C combines ultra-low profile and intelligent scalable design, with the performance of a circularly polarized UHF antenna. With a highly durable ABS radome and flexible easy mounting options, including the use of innovative 'Array-Ability' feet, the A7030C is ideal for existing shelving systems, providing real-time asset & inventory management – it's quite simply the smartest antenna on the shelf.



Innovative design of the A7030C with 'Array-Ability'

Azimuth Planes



Order Information

Ordering Information (please quote both product code & part no.)

*Antenna Product Code	Band	Part No.
A7030C	ETSI 865-868 MHz	71582
A7030C	FCC 902-928 MHz	71584
Cable Accessories	Cable Type	Part No.
Cable 2 m, SMA to RPTNC	T7 195 / 240 / 400	71436 / 71782 / 72042
Cable 4 m, SMA to RPTNC	T7 240 / 400	71784 / 72043
Cable 6 m, SMA to RPTNC	T7 240 / 400	71904 / 72044
Cable 8 m, SMA to RPTNC	T7 240 / 400	71788 / 72045

*Built in New Zealand. ROHS & CE compliant.

View the Times-7 Cable Accessory datasheet [here](#)

Specifications

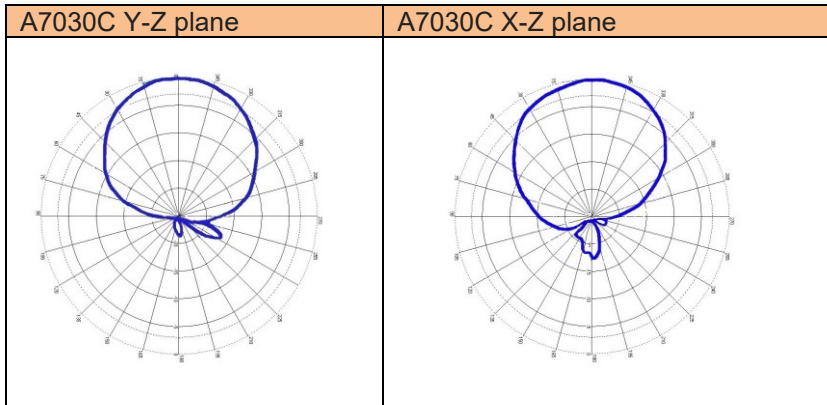
Physical / Environmental Specifications

Dimensions: Length (x) x Width (y) x Depth (z)	300 mm x 300 mm x 8.5 mm (11.5 mm / with feet) 11.81" x 11.81" x 0.33" (0.45" / with feet)
Boxed unit dimensions: (L x W x D):	335 mm x 315 mm x 35 mm / 13.18" x 12.4" x 1.37"
Net weight:	0.83 kg / 1.8 lbs.
Gross weight	1.03 kg / 2.3 lbs.
Radome Material:	Fire retardant ABS
Environmental Rating:	IP54
Operating / Storage Temperature:	-20° to +55°C / -30° to +65°C -4° to +131°F / -22° to +149°F
Mounting:	Integrated mounting guides
Connector type / position:	SMA female side fly lead (365 mm / 15 3/4 in.)

Electrical Specifications

Frequency Range:	ETSI 865-868 MHz / FCC 902-928 MHz
Polarization:	RHCP (Right Hand Circular Polarized)
Far-field Gain:	6 dBiC
Far-field 3dB beamwidth: *	65° in both planes
VSWR	1.4:1 Typical
Front to back ratio:	17 dB
Axial Ratio:	2 dB typical
Nominal impedance:	50 Ω
Anti-static protection:	Yes, DC grounded
Antenna detection	10 K Ω resistance
Maximum Input Power:	3 W

Radiation Pattern



OUR GLOBAL NETWORK

In addition to our world-class products and in-depth expertise, Times-7 is known for their quality of customer service and technical support. We place emphasis on our responsiveness in supporting a large global customer base and ensuring the success of our customer's implementations.

Mounting Information

Flush mount

The A7030C has 4 drill guides on the antenna radome, which can be drilled through without damaging the antenna. For the exact position please refer to the mechanical drawings. For further instructions please click [here](#).

Installation Instructions

- Ensure that only finger tightness is used for the SMA connector. Use of tools to tighten the connector will apply excessive force and will damage the connector.
- Avoid any load or bending force from the cable on the connector.

Applications

Retail / Jewelry item level tracking

Using RFID tags on jewelry allows you to instantly inventory everything. With the A7030C antenna, you'll be able to accurately and confidently track all pieces of expensive jewelry.

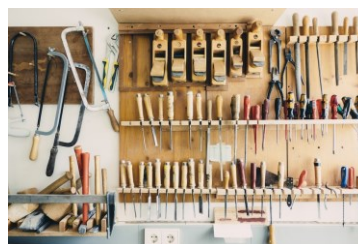


Times-7 Research Ltd
10 Te Puni Street
Lower Hutt 5012
New Zealand

NEW ZEALAND
P: +64 4 974 6566

Workshop / Industrial Tool tracking

A tool tracking system automates all tool inventory management procedures by using RFID tags, and antennas. With the A7030C antenna you can identify, track and control tools in real-time throughout the workday.



USA/CANADA
P: +1 408 769 5025

E: sales@times-7.com

www.times-7.com

The technical data contained in this publication is not a guarantee for which Times-7 Research Ltd assumes legal accountability. It is indicative of typical performance, and if required should be relied on for specific applications only after due verification.

All technical data, specifications and other information contained herein are deemed to be the proprietary intellectual property of Times-7 Research Ltd. No reproduction, copy or use thereof may be made without the express written consent of Times-7 Research Ltd.

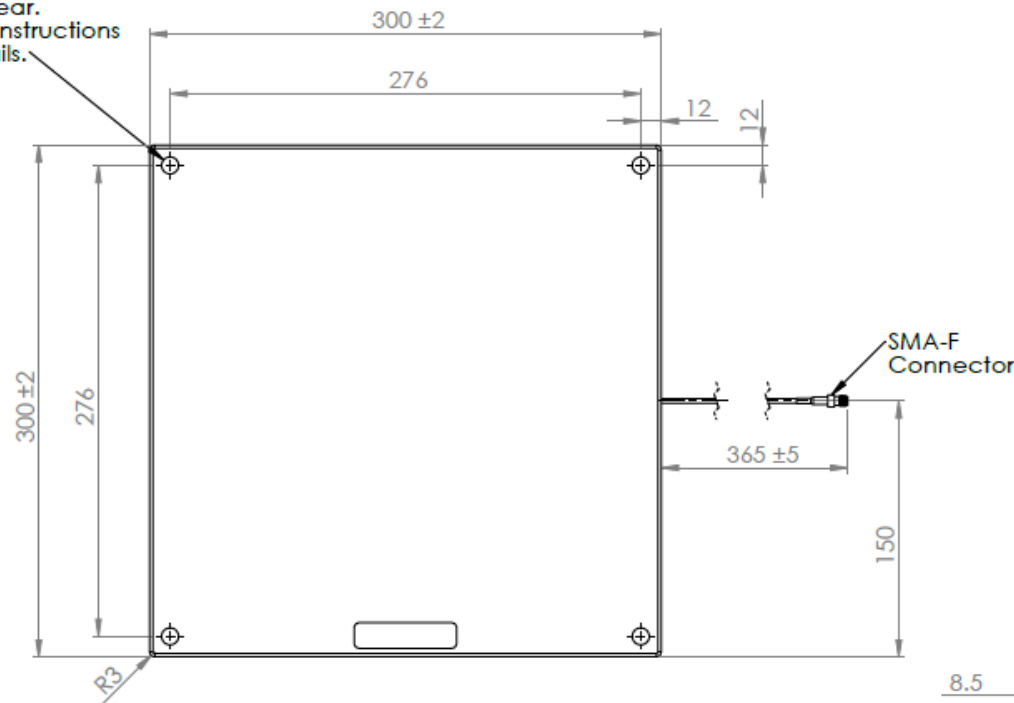
Times-7, and the stylized T-7 Antennas logo are trademarks or registered trademarks of Times-7 Research Ltd. All other trademarks are the property of their respective owners.

© 2022 Times-7 Research Ltd. All rights reserved. Specifications are subject to change without notice.

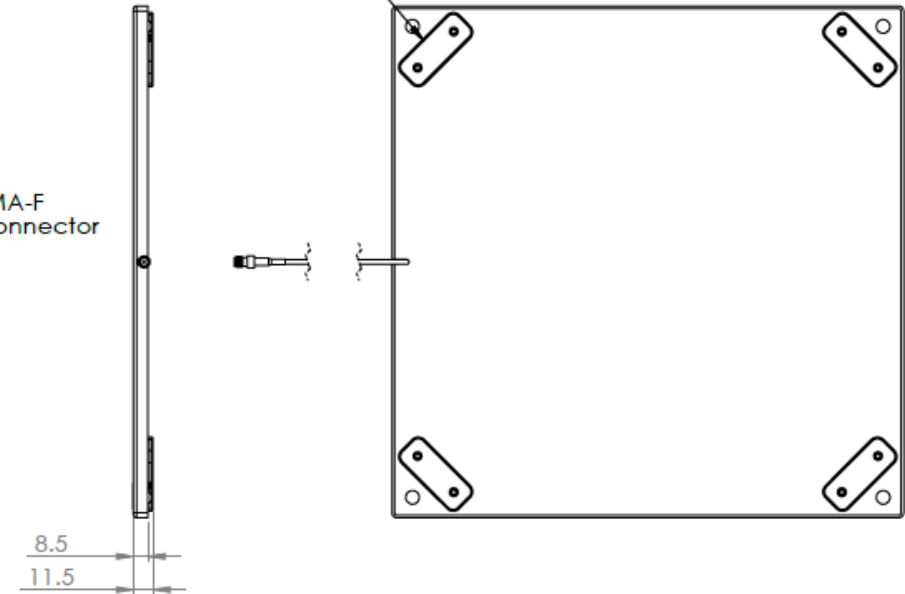
Datasheet v4.0

Mechanical Drawing for the A7030C

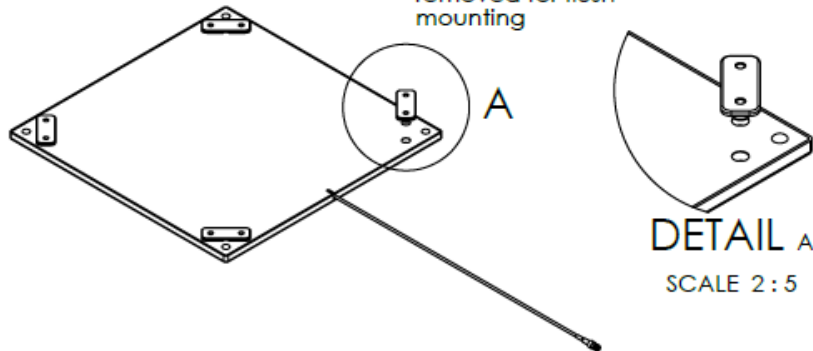
4x Mounting Guide for $\varnothing 6$ screws/bolts or smaller. Marker on front surface, pre-drilled on rear. See mounting instructions for further details.



4x Non-Slip Rubber Feet (Included)



Rubber feet can be removed for flush mounting



DETAIL A
SCALE 2 : 5

<small>THE INFORMATION CONTAINED IN THIS DRAWING IS THE SOLE PROPERTY OF TIMES-7 LTD. ANY REPRODUCTION IN PART OR AS A WHOLE WITHOUT THE WRITTEN PERMISSION OF TIMES-7 IS PROHIBITED.</small>		<small>DIMENSIONS ARE IN mm UNLESS OTHERWISE SPECIFIED TOLERANCES: NO DECIMAL PLACES ± 1 ONE PLACE DECIMAL ± 0.5</small>				DESCRIPTION A7030C Antenna	
DRAWN C Wilson	SIGNATURE 	DATE 28/05/19	SIZE A3	PART NO. 71582 (ETSI) / 71584 (FCC)	REV B	DO NOT SCALE DRAWING	
APPROVED R Lopez	SIGNATURE 	DATE 11/06/2019	SHEET 1 OF 1				