

Description:

Read / write RFID industrial (IP65) device with integrated antenna operating in the UHF frequency band (840 MHz – 960 MHz). Communicates with a 'host' (typically a PC or PLC) via serial line RS232, RS485 or via Ethernet 10 – 100M, and liaising with a series of commands between it and the transponder present in the area of influence of the antenna.

General Features:

- ✓ Integrated antenna.
- ✓ Antenna auto-tuning.
- ✓ RS232, RS485 or Ethernet interface 10-100M.
- ✓ USB VirtualCom service interface.
- ✓ Real Time Clock (optional).
- ✓ Upgradable firmware.
- ✓ Two digital optoisolated inputs (optional).
- ✓ Two digital relay output (optional).
- ✓ One signalling LED and integrated buzzer.
- ✓ M12 connectors.
- ✓ Test and configuration software.
- ✓ ANSI C software library (*.dll, *.h, *.def, *.lib files).
- ✓ Standard ISO 18000-6C (EPC C1G2).
- ✓ CE compliant.

Applications :

- ✓ Industrial / parking automation.
- ✓ Robotics.
- ✓ Logistics / Data collection.


Electrical Features

Supported Transponder	ISO 18000-6C (EPC C1 G2)
Power Supply	10 ... 36 Vdc, PoE (optional)
Power Ratings	15W @27dBm
Operating Frequency	865 MHz – 868 MHz, software programmable
Output Power	Max 0.5 W (27 dBm), 1dB step software programmable
Antenna	Integrated
Reading Distance	8 mt*
Communication Interface	RS232 / RS485 Ethernet 10 – 100M
Service Interface	USB Virtual Com
Digital Inputs	2 optoisolated inputs, 10 – 36 Vdc, max 20 mA @24Vdc
Digital Outputs	2 relay outputs, 1A@30Vdc, 0.5A@125Vac
Status Display	1 LED, Buzzer
Connections	M12 connectors

Mechanical Features

Dimensions	190 x 190 x 80 mm
Material	Die-cast aluminum, plastic
Color	RAL 7045 or RAL 9002
Class Protection	IP65

Environmental Conditions

Operating Temperature	-20°C ÷ +55°C
Storage Temperature	-40°C ÷ +85°C
Humidity	Up to 95%, non condensing

Applicable Standards

EMC	EN 301 489-3
Radio Regulation	EN 302 208-2
Safety	CEI EN 60950-1 CEI EN 50364

Ordering Codes

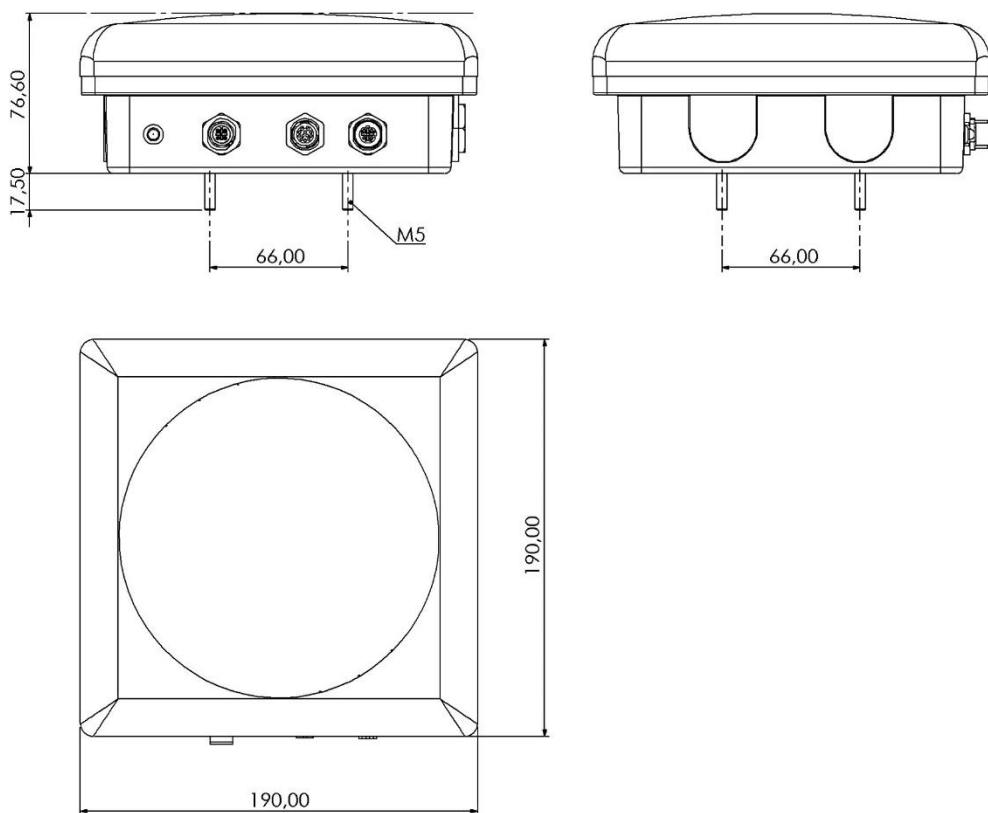
5426U	No Real Time Clock, RAL 9002.
5426U-RTC	With Real Time Clock, RAL 9002.
5426U-G	No Real Time Clock, RAL 7045.
5426U-RTC-G	With Real Time Clock, RAL 7045.



RAL 7045

Image not available

RAL 9002

Mechanical View and Dimensions (in mm)

Dimensions in mm.